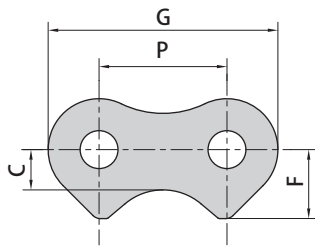
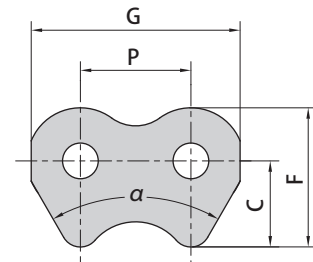


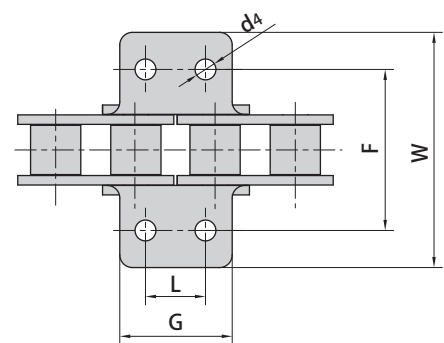
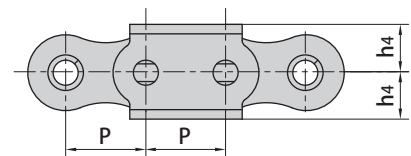
Side bow chains attachments

Donghua Chain No.	P mm	G mm	C mm	F mm	α
08BSBF5	12.7	24.0	9.9	16.0	60°

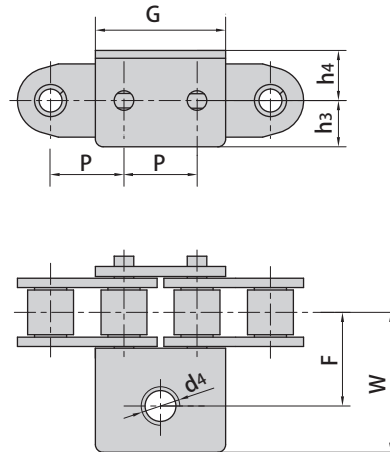


Donghua Chain No.	P mm	G mm	C mm	F mm
43SBF14	12.700	23.1	9.5	11.40
50SBF2	15.875	28.0	5.0	8.56

Donghua Chain No.	P mm	G mm	L mm	F mm	W mm	h4 mm	d4 mm
40SBF1	12.7	17.8	9.5	30.2	45.5	7.5	3.3

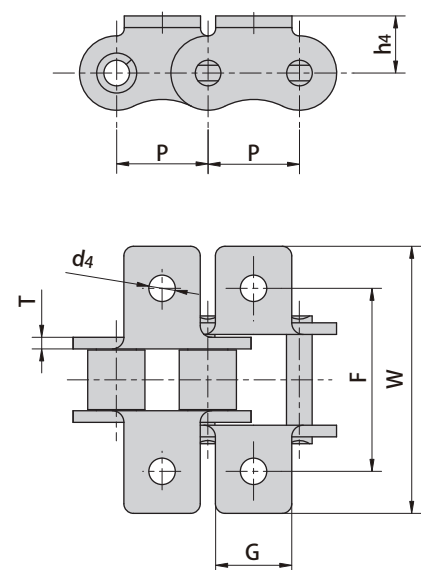


Side bow chains attachments

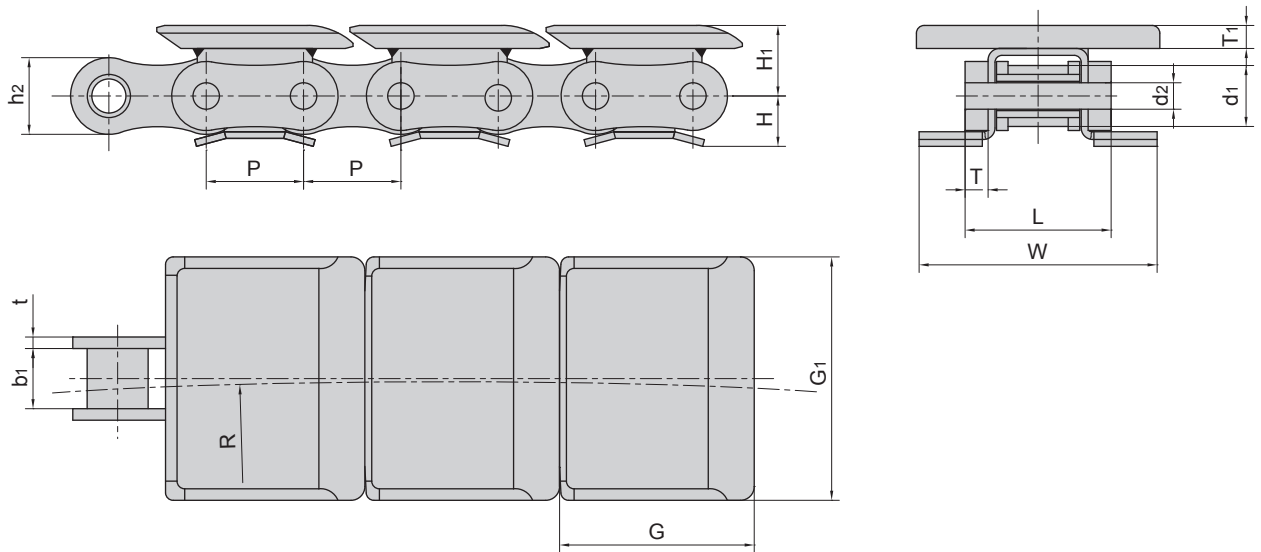


Donghua Chain No.	P	G	F	W	h3	h4	d4
	mm	mm	mm	mm	mm	mm	mm
63SBF2	19.05	33.9	24.4	36.4	12.0	13.0	M8

Donghua Chain No.	P	G	F	W	T	h4	d4
	mm	mm	mm	mm	mm	mm	mm
43SBA1F1	12.700	9.50	25.40	35.2	1.50	7.9	3.4
40SBA1F3	12.700	9.50	38.00	50.0	1.50	8.0	4.2
40SBA1F4	12.700	18.10	27.40	39.4	1.50	8.0	4.2
50SBA1	15.875	12.70	31.75	46.2	2.03	10.3	5.5
10BA1F3SB	15.875	13.00	32.40	51.2	1.70	10.5	6.0
10BA1F5SB	15.875	14.29	31.80	46.2	1.70	10.3	6.0
60SBK1	19.050	15.90	38.10	56.3	2.42	11.9	5.5
C2050SBK0F1.02	31.750	12.70	-	43.6	2.03	7.4	-
C2050SBK0F2	31.750	15.00	-	35.0	2.03	7.4	-
C2050SBK1	31.750	23.80	31.80	44.6	2.03	11.1	5.5



Side bow chains with attachments



Donghua Chain No.	Pitch	Roller diameter	Width between inner plates	Pin diameter	Pin length	Inner plate depth	Attachment dimension							
	P	d1	b1	d2	L	h2	H	H1	t/T	T1	G	G1	W	R
	mm	mm	mm	mm	mm	mm	mm	mm	mm	mm	mm	mm	mm	mm
43SBF11	12.7	7.95	7.85	3.45	19.6	9.8	6.9	9.2	1.5/2.8	3	25.7	31.75	31.6	254
43SBF12	12.7	7.95	7.85	3.45	19.6	9.8	6.9	9.2	1.5/2.8	3	25.7	36.00	31.6	254
43SBF13	12.7	7.95	7.85	3.45	19.6	9.8	6.9	9.2	1.5/2.8	3	25.7	64.00	31.6	254