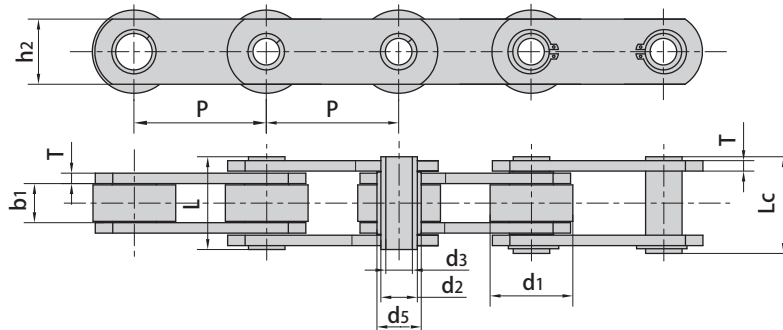


Hollow pin conveyor chains (FVC series)

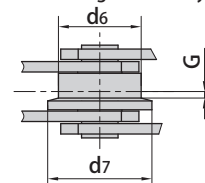
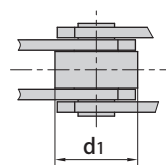
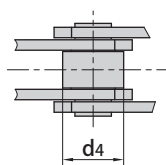
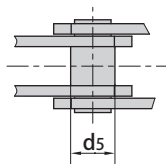


without rollers

with S small rollers type

with P large rollers type

with F flanged rollers type



DIN Chain No.	Pitch							Roller dimension				
	P							d1 max	d4 max	d6 max	d7 max	G
	mm	mm	mm	mm	mm	mm	mm	mm	mm	mm	mm	
FVC63	63.0	80.0	100.0	125.0	160.0	-	-	40.0	26.0	50.0	63.0	5.0
FVC90	63.0	80.0	100.0	125.0	160.0	200.0	250.0	48.0	30.0	63.0	78.0	6.5
FVC112	100.0	125.0	160.0	200.0	250.0	-	-	55.0	32.0	72.0	90.0	7.5
FVC140	100.0	125.0	160.0	200.0	250.0	-	-	60.0	36.0	80.0	100.0	9.0
FVC180	125.0	160.0	200.0	250.0	315.0	-	-	70.0	42.0	100.0	125.0	13.0
FVC250	160.0	200.0	250.0	315.0	400.0	-	-	80.0	50.0	125.0	155.0	15.0
FVC315	160.0	200.0	250.0	315.0	400.0	-	-	90.0	60.0	140.0	175.0	18.0

DIN Chain No.	Width between inner plates	Pin diameter			Bush diameter	Pin length		Plate thickness	Plate depth	Ultimate tensile strength
	b1 min	d2 max	d3 min	d5 max	L max	Lc max	T max	h2 max	Q min	
	mm	mm	mm	mm	mm	mm	mm	mm	kN/lbf	
FVC63	22.0	12.0	8.0	18.0	45.0	50.5	4.0	30.0	46.0/10454	
FVC90	25.0	14.0	10.0	20.0	53.0	56.5	5.0	35.0	73.0/16590	
FVC112	30.0	16.0	11.0	22.0	62.0	63.0	6.0	40.0	90.0/20454	
FVC140	35.0	18.0	12.0	26.0	67.0	68.5	6.0	45.0	110.0/25000	
FVC180	45.0	20.0	14.0	30.0	86.0	88.0	8.0	50.0	145.0/32954	
FVC250	55.0	26.0	18.0	36.0	97.0	103.5	8.0	60.0	215.0/48863	
FVC315	65.0	30.0	20.0	42.0	117.0	121.5	10.0	70.0	295.0/67044	