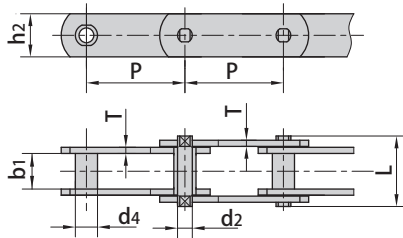
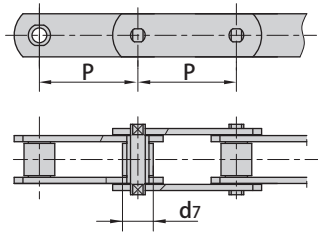


Conveyor chains (M series)

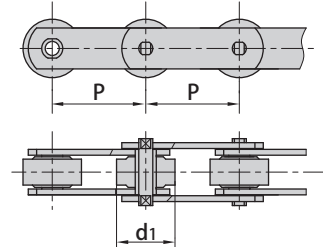
1.without rollers



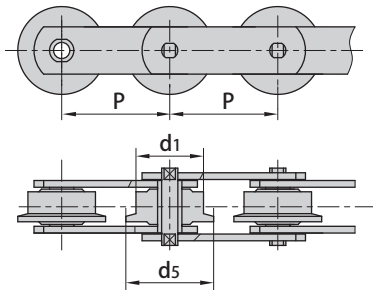
2.with S small rollers type



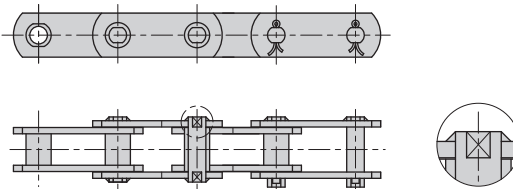
3.with P large rollers type



4.with F flanged rollers type



5.Welded pins with plates



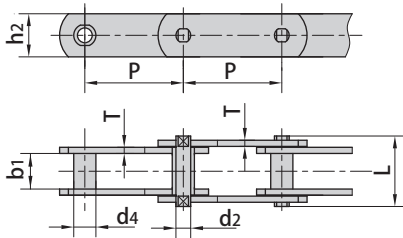
ISO Chain No.	Pitch								Roller diameter			Bush diameter
	P mm								d1 max mm	d7 max mm	d5 max mm	d4 max mm
M20	*40.0	50.0	63.0	80.0	100.0	125.0	160.0	25.0	12.5	32.0	9.0	
M28	*50.0	63.0	80.0	100.0	125.0	160.0	200.0	30.0	15.0	36.0	10.0	
M40	63.0	80.0	100.0	125.0	160.0	200.0	250.0	36.0	18.0	42.0	12.5	
M56	*63.0	80.0	100.0	125.0	160.0	200.0	250.0	42.0	21.0	50.0	15.0	
M80	80.0	100.0	125.0	160.0	200.0	250.0	315.0	50.0	25.0	60.0	18.0	
M112	*80.0	100.0	125.0	160.0	200.0	250.0	315.0	400.0	60.0	30.0	70.0	21.0
M160	*100.0	125.0	160.0	200.0	250.0	315.0	400.0	500.0	70.0	36.0	85.0	25.0
M224	*125.0	160.0	200.0	250.0	315.0	400.0	500.0	630.0	85.0	42.0	100.0	30.0
M315	*160.0	200.0	250.0	315.0	400.0	500.0	630.0	100.0	50.0	120.0	36.0	
M450	200.0	250.0	315.0	400.0	500.0	630.0	800.0	120.0	60.0	140.0	42.0	

ISO Chain No.	Width between inner plates	Pin diameter	Pin length	Plate depth	Plate thickness	Ultimate tensile strength	Average tensile strength
	b1 min mm	d2 max mm	L max mm	h2 max mm	T max mm	Q min kN/lbf	Q0 kN
M20	16.0	6.0	35.0	19.0	2.5	20.0/4545	25.0
M28	18.0	7.0	40.0	21.0	3.0	28.0/6364	35.0
M40	20.0	8.5	45.0	26.0	3.5	40.0/9091	50.0
M56	24.0	10.0	52.0	31.0	4.0	56.0/12727	70.0
M80	28.0	12.0	62.0	36.0	5.0	80.0/18182	100.0
M112	32.0	15.0	73.0	41.0	6.0	112.0/25454	140.0
M160	37.0	18.0	85.0	51.0	7.0	160.0/36364	200.0
M224	43.0	21.0	98.0	62.0	8.0	224.0/50909	280.0
M315	48.0	25.0	112.0	72.0	10.0	315.0/71591	393.7
M450	56.0	30.0	135.0	82.0	12.0	450.0/102272	562.5

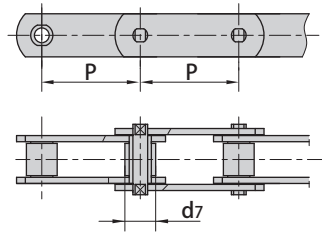
*Chain has bush and small roller only

Conveyor chains (M series)

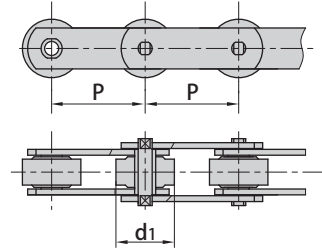
1.without rollers



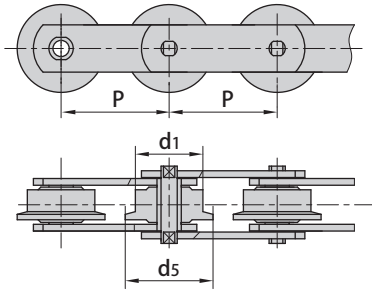
2.with S small rollers type



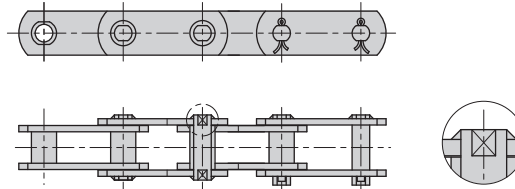
3.with P large rollers type



4.with F flanged rollers type



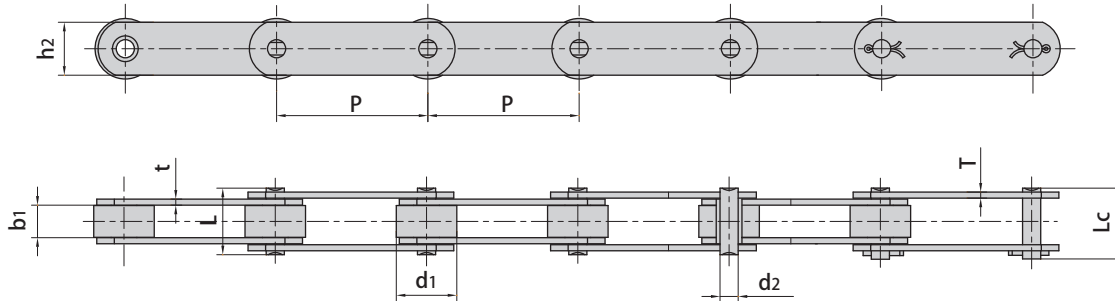
5.Welded pins with plates



DIN Chain No.	Pitch								Roller diameter			Bush diameter
	P								d1 max	d7 max	d5 max	d4 max
	mm								mm	mm	mm	mm
M20	40.0	50.0	63.0	80.0	100.0	125.0	160.0	25.0	12.50	30.00	9.0	
M28	50.0	63.0	80.0	100.0	125.0	160.0	200.0	30.0	15.00	36.00	10.0	
M40	63.0	80.0	100.0	125.0	160.0	200.0	250.0	36.0	18.00	42.00	12.5	
M56	63.0	80.0	100.0	125.0	160.0	200.0	250.0	42.0	21.00	50.00	15.0	
M80	80.0	100.0	125.0	160.0	200.0	250.0	315.0	50.0	25.00	60.00	18.0	
M112	80.0	100.0	125.0	160.0	200.0	250.0	315.0	60.0	30.00	70.00	21.0	
M160	100.0	125.0	160.0	200.0	250.0	315.0	400.0	70.0	36.00	85.00	25.0	
M224	125.0	160.0	200.0	250.0	315.0	400.0	500.0	85.0	42.00	100.00	30.0	
M315	160.0	200.0	250.0	315.0	400.0	500.0	630.0	100.0	50.00	120.00	36.0	
M450	200.0	250.0	315.0	400.0	500.0	630.0	800.0	120.0	60.00	140.00	42.0	

DIN Chain No.	Width between inner plates	Pin diameter	Pin length	Plate depth	Plate thickness	Ultimate tensile strength	Average tensile strength
	b1 min	d2 max	L max	h2 max	T max	Q min	Q0
	mm	mm	mm	mm	mm	kN/lbf	kN
M20	16.0	6.0	35.0	18.0	2.5	20.0/4545	25.0
M28	18.0	7.0	40.0	20.0	3.0	28.0/6364	35.0
M40	20.0	8.5	45.0	25.0	3.5	40.0/9091	50.0
M56	24.0	10.0	52.0	30.0	4.0	56.0/12727	70.0
M80	28.0	12.0	62.0	35.0	5.0	80.0/18182	100.0
M112	32.0	15.0	73.0	40.0	6.0	112.0/25454	140.0
M160	37.0	18.0	85.0	50.0	7.0	160.0/36364	200.0
M224	43.0	21.0	98.0	60.0	8.0	224.0/50909	280.0
M315	48.0	25.0	112.0	70.0	10.0	315.0/71591	393.7
M450	56.0	30.0	135.0	80.0	12.0	450.0/102272	562.5

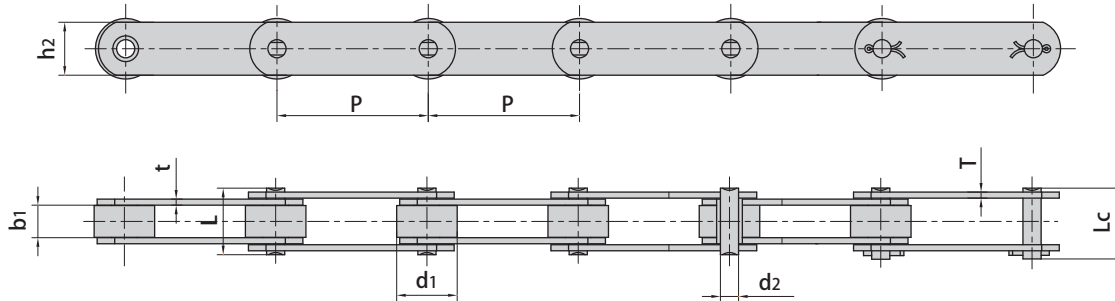
Conveyor chains (M series)



Donghua Chain No.	Pitch	Roller diameter	Width between inner plates	Pin diameter	Pin length		Inner plate depth	Plate thickness	Ultimate tensile strength	Average tensile strength	Weight per meter
	p mm	d1 max mm	b1 min mm	d2 max mm	L max mm	Lc max mm	h2 max mm	t/T max mm	Q min kN/lbf	Q0 kN	q kg/m
M18F1-P-50	50.0	25.00	11.50	5.72	26.0	28.2	18.0	2.5	18.0/4050	20.0	1.81
M20-PF1-50	50.0	30.00	16.00	6.00	31.0	33.5	18.0	2.5	20.0/4500	22.0	2.60
M22-P-50	50.0	25.00	11.50	8.00	28.0	30.9	20.0	3.0	22.0/4950	24.2	2.64
M22F1-P-50	50.0	25.00	12.00	10.00	29.4	32.6	20.0	3.0	22.0/4950	24.2	2.30
M28F4-S-50	50.0	15.00	17.00	7.00	33.0	36.5	20.0	3.0	28.0/6300	35.0	1.88
M28F5-P-63	63.0	30.00	18.00	7.00	42.0	45.5	25.0	5.0	40.0/9000	50.0	4.23
M35F2-S-35	35.0	14.00	14.00	7.00	31.0	34.0	18.0	3.5/2.5	35.0/7874	39.0	1.82
M35F2-P-35	35.0	22.00	14.00	7.00	31.0	34.0	18.0	3.5/2.5	35.0/7874	39.0	2.47
*M35F3-B-35	35.0	14.00	14.00	6.00	30.2	33.0	18.0	3.0	35.0/7874	39.0	1.73
M35F4-C-69	69.0	25.00	12.00	7.00	27.5	30.0	19.0	2.5	35.0/7874	39.0	1.60
M35F5-P-50.8	50.8	25.00	16.00	7.00	33.0	36.0	20.0	3.0	35.0/7874	39.0	2.48
M35F9-P-50	50.0	25.00	16.00	6.00	30.4	32.7	18.0	2.5	33.0/7425	36.0	2.23
M35F10-P-50	50.0	20.00	16.00	7.00	33.0	36.0	25.0	3.0	35.0/7874	39.0	2.53
M35F11-P-35	35.0	20.00	16.00	7.00	31.0	34.0	18.0	2.50	35.0/7874	39.0	2.22
*M40-B-101.6	101.6	17.00	15.00	14.00	37.0	40.5	25.0	4.0	40.0/9000	44.0	2.30
M40-PF1-100	100.0	36.00	20.00	8.50	40.5	44.5	25.0	3.5	40.0/9000	44.0	3.28
M40F4-P-50	50.0	31.75	15.00	10.00	36.6	39.0	25.0	4.0	40.0/9000	44.0	4.00
M40F5-S-65	65.0	24.00	15.00	10.00	36.6	39.0	30.0	4.0	40.0/9000	44.0	4.86
M40F6-P-80	80.0	36.00	20.00	8.50	41.0	44.2	25.0	4.0	40.0/9000	44.0	3.68
M40F17-P-50.8	50.8	31.00	15.20	13.35	38.0	42.8	25.0	5.0/4.0	53.9/12127	59.2	4.45
M40F22-P-100	100.0	40.00	32.00	14.00	63.7	69.0	50.0	6.0	195.0/43838	214.5	10.30
M56-SF1-63	63.0	25.00	24.00	10.00	46.0	49.5	30.0	4.0	56.0/12600	61.6	2.31
M56-SF1-80	80.0	25.00	24.00	10.00	46.0	49.5	30.0	4.0	56.0/12600	61.6	3.61
M56-PF1-80	80.0	50.00	24.00	10.00	46.0	49.5	30.0	4.0	56.0/12600	61.6	6.96
M56F14-S-63	63.0	21.00	24.00	10.00	46.0	49.5	30.0	4.0	56.0/12600	61.6	3.81
M56F14-S-80	80.0	21.00	24.00	10.00	46.0	49.5	30.0	4.0	56.0/12600	61.6	3.27
M56F14-P-100	100.0	42.00	24.00	10.00	46.0	49.5	30.0	4.0	56.0/12600	61.6	5.00
M56F21-P-100	100.0	42.00	24.00	12.00	54.7	59.5	30.0	6.0	56.0/12600	61.6	6.30
M56F28-P-100	100.0	31.00	15.00	10.00	38.2	43.0	30.0	4.0	56.0/12600	61.6	3.20
M75-P-75	75.0	40.00	22.00	12.00	44.0	47.0	35.0	4.0	75.0/16870	75.0	5.88
M80F3-P-125	125.0	50.00	28.00	11.00	55.0	58.5	35.0	5.0	80.0/18000	88.0	6.72
*M80F4-BF1-125	125.0	25.00	28.00	12.00	55.0	58.5	35.0	5.0	80.0/18000	88.0	4.27
M80F4-A-100	100.0	25.00	28.00	12.00	55.0	58.5	35.0	5.0	80.0/18000	88.0	4.63
*M80F4-B-100	100.0	18.00	28.00	12.00	55.0	58.5	35.0	5.0	80.0/18000	88.0	4.13
*M80F4-B-125	125.0	18.00	28.00	12.00	55.0	58.5	35.0	5.0	80.0/18000	88.0	3.85

*Bush chain: d1 in the table indicates the external diameter of the bush.

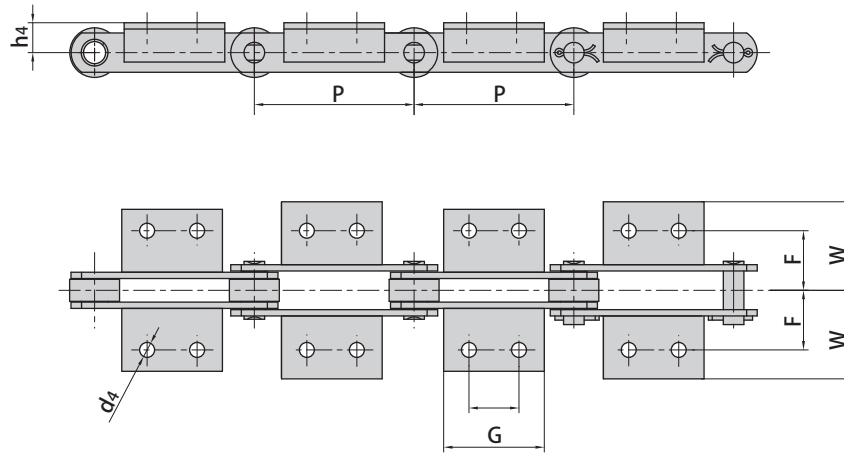
Conveyor chains (M series)



Donghua Chain No.	Pitch	Roller diameter	Width between inner plates	Pin diameter	Pin length		Inner plate depth	Plate thickness	Ultimate tensile strength	Average tensile strength	Weight per meter
	p mm	d1 max mm	b1 min mm	d2 max mm	L max mm	Lc max mm	h2 max mm	t/T max mm	Q min kN/lbf	Q0 kN	q kg/m
M80F6-P-75	75.0	35.00	14.00	12.00	40.5	45.0	30.0	5.0	80.0/18000	88.0	4.80
M80F8-S-80	80.0	25.00	28.00	12.00	55.0	58.5	35.0	5.0	80.0/18000	88.0	5.11
*M80F8-B-80	80.0	18.00	28.00	12.00	55.0	58.5	35.0	5.0	80.0/18000	88.0	4.48
*M80F8-B-100	100.0	18.00	28.00	12.00	55.0	58.5	35.0	5.0	80.0/18000	88.0	4.14
*M80F8-B-125	125.0	18.00	28.00	12.00	55.0	58.5	35.0	5.0	80.0/18000	88.00	3.85
M80F9-S-80	80.0	25.00	28.00	12.00	54.5	59.0	35.0	5.0	80.0/18000	88.00	5.07
M80F12-P-100	100.00	50.00	28.00	12.00	55.0	58.5	35.0	5.0	80.0/18000	88.00	7.80
M100-P-80	80.0	47.50	31.40	15.90	71.2	76.0	40.0	8.0	100.0/22727	110.00	12.36
M112F2-P-125	125.0	55.00	50.00	16.00	87.1	91.6	40.0	7.2	112.0/25200	123.20	13.35
M224F3-P-160	160.0	80.00	30.00	21.00	81.0	-	60.0	8.0	224.0/50909	246.00	17.34
*M112F6-B-100	100.0	21.00									6.14
*M112F6-B-125	125.0	21.00	32.00	15.00	64.0	68.3	40.0	6.0	112.0/25200	123.20	5.46
M112F6-P-125	125.0	60.00									10.33
M112F7-P-125	125.0	30.00	32.00	15.00	64.0	68.3	40.0	6.0	112.0/25200	123.20	6.39
M112F8-S-100	100.0	30.00	31.00	15.00	63.5	68.0	40.0	6.0	112.0/25200	123.20	7.14
*M112F14	160.0	21.00	31.00	14.00	64.4	69.0	40.0	6.0	112.0/25200	123.20	5.03
*M112F15-B-100	100.0	21.00	31.00	15.00	64.5	69.0	40.0	6.0	112.0/25200	123.20	5.90
M112F18-S-100	100.0	30.00	31.00	15.00	64.0	68.6	36.0	6.0	112.0/25200	123.20	6.20
*M112F18-B-125	125.0	21.00	31.00	15.00	-	68.6	36.0	6.0	112.0/25200	123.20	5.25
M112F21-P-160	160.0	40.00	25.00	15.00	57.5	62.0	40.0	6.0	112.0/25200	123.20	6.86
M112F24-S-100	100.0	30.00	32.00	15.00	-	73.2	36.0	6.0	112.0/25200	123.20	6.82
M112-PF1-80	80.0	40.00	32.00	15.00	64.5	69.0	40.0	6.0	112.0/25200	123.20	10.97
M160-P-152.4	152.4	66.70	25.40	26.90	58.0	68.0	50.0	7.1/5.1	156.0/35451	171.60	12.10
M160F1-P-100	100.0	36.00	36.00	18.00	76.0	80.0	40.0	7.0	160.0/36364	176.00	9.42
*M160F14-B-100	100.0	25.00	37.00	18.00	77.3	83.5	50.0	8.0	160.0/36364	176.00	10.44
*M160F15-B-100	100.0	25.00	37.00	18.00	85.3	91.5	50.0	10.0	160.0/36364	176.00	12.51
M160F23-S-160	160.0	36.00	37.00	18.00	73.3	79.5	50.0	7.0	160.0/36364	176.00	11.95
*M224F30-B-125	125.0	30.00	42.00	21.00	-	92.5	56.0	8.0	224.0/50909	246.00	12.49
*M224F31-B-200	200.0	30.00	43.00	21.00	84.0	91.0	60.0	8.0	224.0/50909	246.00	10.05
*M315F1-B-125	125.0	36.00	37.00	25.00	90.0	-	70.0	10.0	315.0/70862	346.00	19.15
*M315F6-B-160	160.0	42.00	80.00	25.00	140.0	140.0	80.0	12.0	315.0/70862	346.50	27.30
M315F10-S-250	250.0	50.00	55.00	26.00	106.9	113.0	70.0	10.0	315.0/70862	393.70	17.60
M315F12-S-200	200.0	45.00	48.00	25.00	119.0	126.5	70.0	15.0	600.0/135000	648.00	24.20
M315F16-S-250	250.0	60.00	48.00	25.00	109.5	117.0	70.0	12.0	600.0/135000	648.00	21.60
*M315F17-B-160	160.0	36.00	66.70	25.00	93.5	100.5	70.0	8.0	315.0/70862	346.50	15.04

*Bush chain: d1 in the table indicates the external diameter of the bush.

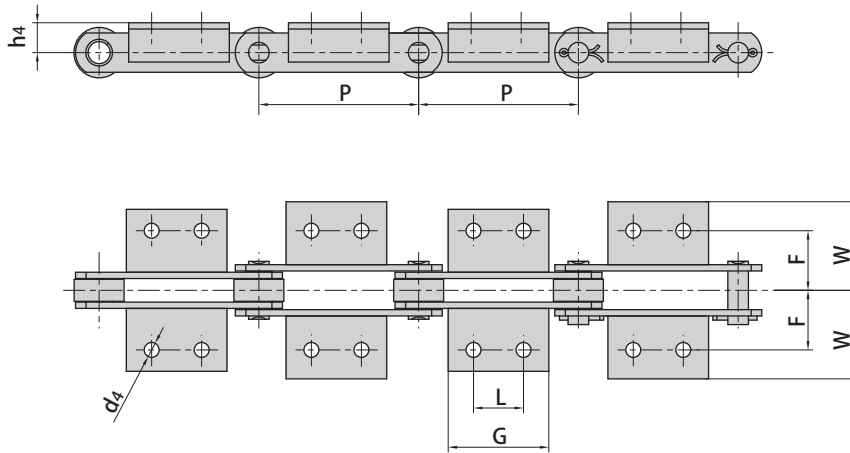
Conveyor chains with attachments (M series)



ISO Chain No.	P	L	G	d4	F	W	h4
	mm	mm	mm	mm	mm	mm	mm
M20	40.0	△	14.0	6.6	27.0	40.0	16.0
	50.0	△	14.0				
	63.0	20.0	35.0				
	80.0	35.0	50.0				
M28	50.0	△	20.0	9.0	32.0	47.0	20.0
	63.0	△	20.0				
	80.0	25.0	45.0				
	100.0	40.0	60.0				
M40	63.0	△	31.0	9.0	35.0	50.0	25.0
	80.0	20.0	45.0				
	100.0	40.0	60.0				
	125.0	65.0	85.0				
M56	63.0	△	22.0	11.0	44.0	61.0	30.0
	80.0	△	30.0				
	100.0	25.0	50.0				
	125.0	50.0	75.0				
	160.0	85.0	110.0				
M80	80.0	△	30.0	11.0	48.0	65.0	35.0
	100.0	25.0	50.0				
	125.0	50.0	75.0				
	160.0	85.0	110.0				
	200.0	125.0	150.0				

△Attachments with 1 hole

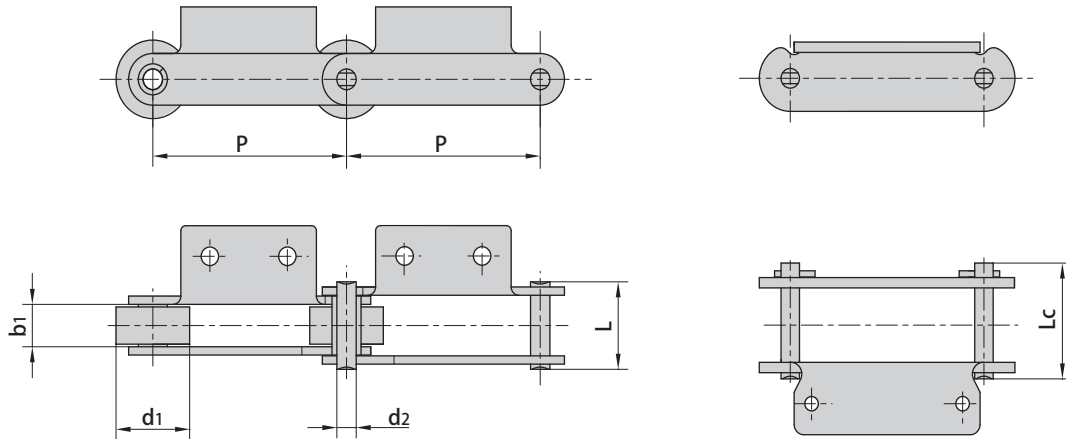
Conveyor chains with attachments (M series)



ISO Chain No.	P	L	G	d4	F	W	h4
	mm	mm	mm	mm	mm	mm	mm
M112	80.0	△	28.0	14.0	55.0	80.0	40.0
	100.0	△	40.0				
	125.0	35.0	65.0				
	160.0	65.0	95.0				
	200.0	100.0	130.0				
M160	100.0	△	30.0	14.0	62.0	85.0	45.0
	125.0	25.0	50.0				
	160.0	50.0	80.0				
	200.0	85.0	115.0				
	250.0	145.0	175.0				
M224	125.0	△	35.0	18.0	70.0	110.0	55.0
	160.0	△	60.0				
	200.0	65.0	100.0				
	250.0	125.0	160.0				
	315.0	190.0	230.0				
M315	160.0	△	35.0	18.0	80.0	115.0	65.0
	200.0	50.0	85.0				
	250.0	100.0	140.0				
	315.0	155.0	190.0				
	400.0	155.0	205.0				

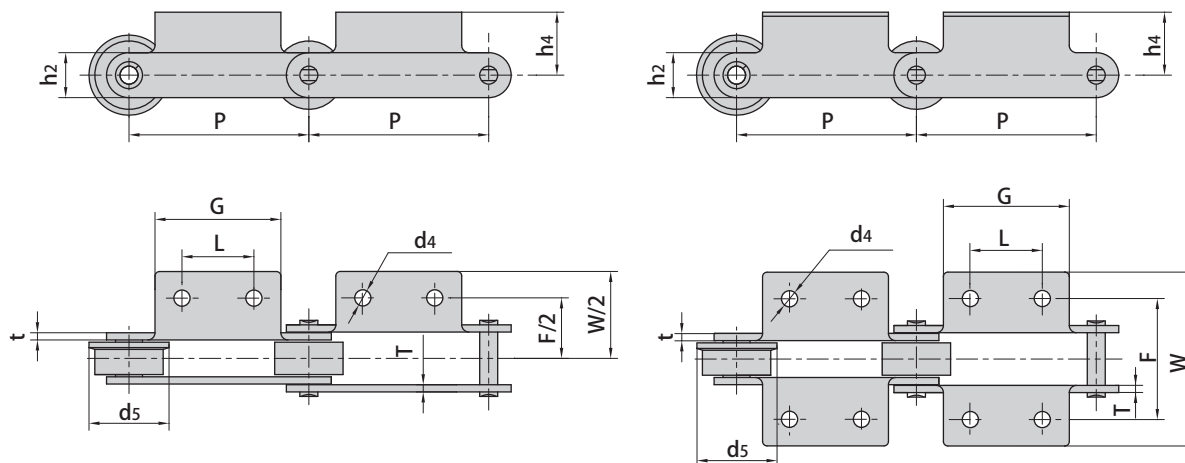
△ Attachments with 1 hole

Conveyor chains with attachments (M series)



Donghua Chain No.	Pitch	Roller diameter	Width between inner plates	Pin diameter	Pin length		Ultimate tensile strength	Average tensile strength	Weight per meter
	P	d ₁ max	b ₁ min	d ₂ max	L max	L _c max	Q min	Q ₀	q
	mm	mm	mm	mm	mm	mm	kN/lbf	kN	kg/m
M18F1A1-P-50	50.0	25.0	11.5	5.72	26.0	28.2	18.0/4050	20.0	2.46
M18F2A1.02-P-50	50.0	25.0	11.5	5.72	28.0	30.2	18.0/4050	20.0	2.18
M18F2A1F1.32-P-50	50.0	25.0	11.5	5.70	28.0	30.2	18.0/4050	20.0	1.85
M18F4A1.02-S-50	50.0	15.0	12.0	6.00	24.0	26.5	18.0/4050	20.0	1.20
M20K1F2.02-S-50	50.0	12.5	16.0	6.00	31.0	33.5	20.0/4545	25.0	3.60
M20A2F1-S-50	50.0	12.5	16.0	6.00	31.0	33.5	20.0/4545	25.0	1.53
M28F1A2-P-80	80.0	29.4	18.0	7.00	35.4	38.7	28.0/6300	31.0	2.60
M28F3A2-P-63	63.0	30.0	17.0	7.00	37.3	40.3	35.0/7874	39.0	3.48
M28F3A2-F-100	100.0	30.0	17.0	7.00	37.3	40.3	35.0/7874	39.0	3.46
M32A1.02-P-50	50.0	31.0	15.0	10.00	33.0	35.5	32.0/7200	35.2	4.09
M32A1F1-P-50	50.0	31.0	15.0	10.00	33.0	35.5	32.0/7200	35.2	3.96
M32A1F2.02-PF1-50	50.0	36.0	14.8	10.00	32.6	35.5	35.0/7874	39.0	4.40
M35F4A1.01-C-69	69.0	25.0	12.0	7.00	27.5	30.0	35.0/7874	39.0	2.26
M40FA1.02-P-50	50.0	31.0	15.0	10.00	36.6	39.0	75.0/16872	82.5	4.52
M40FK2F1-P-50	50.0	31.0	15.0	10.00	36.6	39.0	40.0/9000	44.0	4.94
M40FA2-P-50	50.0	31.0	15.0	10.00	36.6	39.0	40.0/9000	44.0	4.54
M40FA1F1.02-P-50	50.0	31.0	15.0	10.00	36.6	39.0	40.0/9000	44.0	4.31
M40FA2F1.08-P-50	50.0	31.0	15.0	10.00	36.6	39.0	40.0/9000	44.0	4.08
M40F17A2-P-50.8	50.8	31.0	15.2	13.40	38.0	42.8	53.9/12127	59.2	4.90
M40F5A2-S-65	65.0	24.0	15.0	12.00	38.0	41.0	40.0/9000	44.0	4.74
M40F10-F-76.2	76.2	31.5	15.0	14.00	38.0	42.0	40.0/9000	44.0	4.16
M40A2F2-F-80	80.0	36.0	20.0	8.50	40.5	45.0	40.0/8992	44.0	4.98
M40F1-P-125	125.0	36.0	38.0	14.27	75.6	-	40.0/9091	44.0	10.18
M56F1-P-100	100.0	38.0	20.5	10.00	42.3	46.1	56.0/12727	61.0	4.63
M56F2-P-100	100.0	42.0	22.5	10.00	44.6	48.5	56.0/12727	61.0	5.67
M56F2-F-100	100.0	42.0	22.5	10.00	44.6	48.5	56.0/12727	61.0	5.88
M56F3-P-100	100.0	38.0	20.5	10.00	42.3	46.1	56.0/12727	61.0	4.72
M56F3-F.06-100	100.0	38.0	20.5	10.00	42.3	46.1	56.0/12727	61.0	4.70
M56F8-P-100	100.0	38.0	17.0	10.00	38.8	42.6	56.0/12727	61.0	3.79
M56F9-F1-100	100.0	38.0	20.5	10.00	46.3	50.1	88.2/19845	97.0	5.80
M56F23-F-100	100.0	42.0	24.0	10.00	44.6	49.5	56.0/12727	61.0	5.52

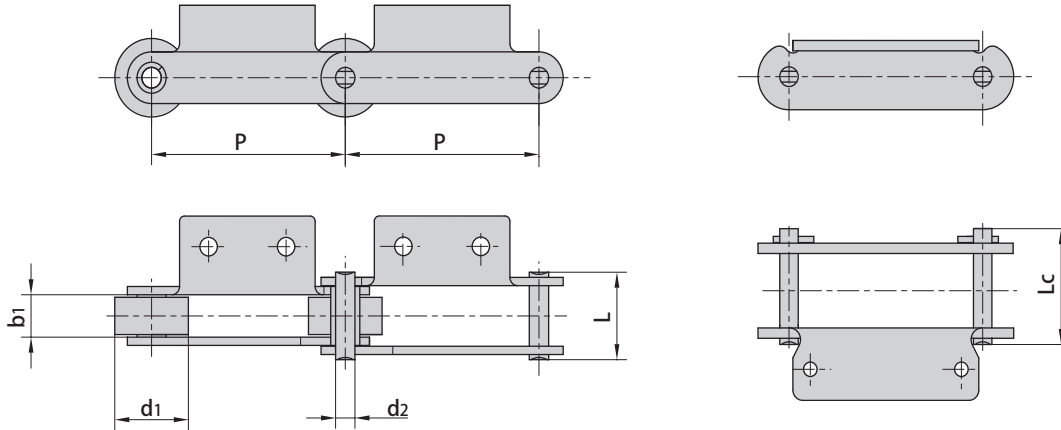
Conveyor chains with attachments (M series)



Donghua Chain No.	P	L	G	F	W	h4	h2	d4	t/T	d5
	mm	mm	mm	mm	mm	mm	mm	mm	mm	mm
M18F1A1-P-50	50.0	△	46.0	44.0	72.0	24.0	18.0	6.5	2.50	-
M18F2A1.02-P-50	50.0	△	41.0	48.0	68.0	25.0	15.0	6.5	3.00	-
M18F2A1F1.32-P-50	50.0	△	42.0	44.6	64.6	22.5	15.0	6.0	3.00	-
M18F4A1.02-S-50	50.0	△	30.0	50.0	83.0	20.0	15.0	8.0	2.03	-
M20K1F2.02-S-50	50.0	△	20.0	54.0	75.0	16.0	18.0	6.6	2.50	-
M20A2F1-S-50	50.0	20.0	35.0	52.0	80.0	13.0	18.0	8.1	2.50	-
M28F1A2-P-80	80.0	25.0	45.8	66.0	91.6	11.8	20.5	8.8	3.25	-
M28F3A2-P-63	63.0	20.0	50.0	64.0	92.0	20.0	20.0	9.0	4.00	-
M28F3A2-F-100	100.0	40.0	76.0	64.0	100.0	20.0	20.0	9.0	4.00	40.0
M32A1.02-P-50	50.0	△	60.0	62.0	97.0	35.0	23.0	10.0	3.00	-
M32A1F1-P-50	50.0	△	30.0	62.0	92.0	28.0	23.0	10.0	3.00	-
M32A1F2.02-PF1-50	50.0	△	60.0	62.0	97.0	16.5	23.0	10.0	3.00	-
M35F4A1.01-C-69	69.0	△	60.0	50.0	74.0	25.5	19.0	7.0	2.50	-
M40FA1.02-P-50	50.0	△	60.0	70.0	98.0	17.5	25.0	10.0	4.00	-
M40FK2F1-P-50	50.0	30.0	60.0	67.5	100.0	17.0	25.0	9.0	4.00	-
M40FA2-P-50	50.0	30.0	45.0	93.0	136.0	14.5	25.0	6.5	4.00	-
M40FA1F1.02-P-50	50.0	△	35.0	54.0	104.0	20.5	25.0	10.5	4.00	-
M40FA2F1.08-P-50	50.0	25.0	45.0	90.0	122.0	22.0	25.0	8.5	4.00	-
M40F17A2-P-50.8	50.8	30.0	55.0	66.0	92.0	18.0	25.0	10.2	5.00/4.00	-
M40F5A2-S-65	65.0	25.0	45.0	90.0	122.0	24.5	30.0	8.5	4.00	-
M40F10-F-76.2	76.2	22.2	38.3	76.2	106.5	19.0	26.0	9.4	4.00	40.0
M40A2F2-F-80	80.0	20.0	50.0	70.0	112.0	35.0	25.0	9.0	3.50	45.0
M40F1-P-125	125.0	50.0	90.0	100.0	140.0	36.0	50.0	13.0	6.00	-
M56F1-P-100	100.0	40.0	70.0	67.5	96.6	35.0	25.0	9.0	4.00	-
M56F2-P-100	100.0	29.7	50.0	124.0	148.0	21.5	32.0	7.0	4.00	-
M56F2-F-100	100.0	29.7	50.0	124.0	148.0	21.5	32.0	7.0	4.00	50.0
M56F3-P-100	100.0	50.0	70.0	71.0	101.0	35.0	25.0	9.0	4.00	-
M56F3-F.06-100	100.0	50.0	70.0	71.0	101.0	35.0	25.0	9.0	4.00	44.5
M56F8-P-100	100.0	△	70.0	63.8	95.0	25.0	25.0	8.2	4.00	-
M56F9-F1-100	100.0	40.0	70.0	68.0	96.6	25.0	32.0	9.0	5.00	45.0
M56F23-F-100	100.0	40.0	70.0	71.4	100.6	35.0	25.0	9.0	4.00	50.0

△Attachments with 1 hole

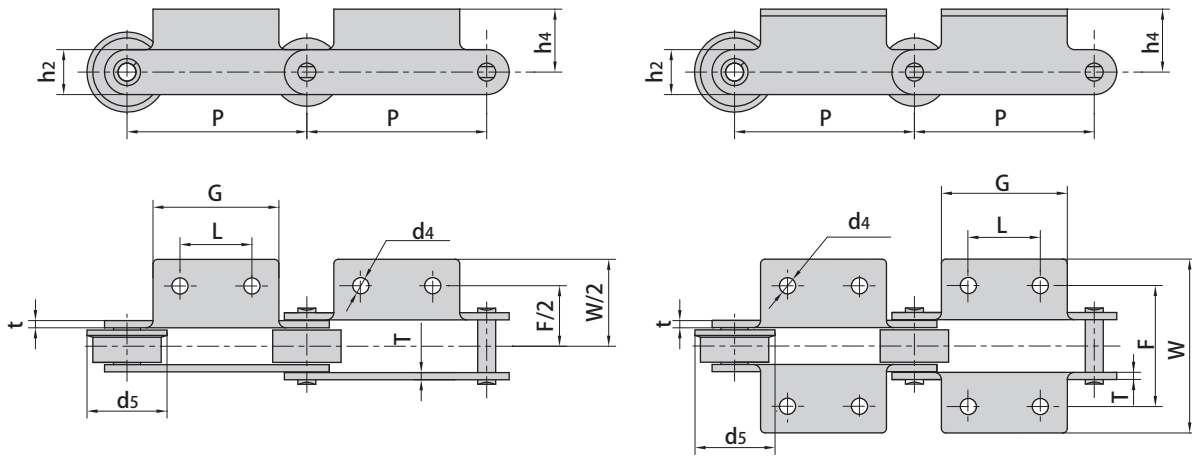
Conveyor chains with attachments (M series)



Donghua Chain No.	Pitch	Roller diameter	Width between inner plates	Pin diameter	Pin length		Ultimate tensile strength	Average tensile strength	Weight per meter
	P	d1 max	b1 min	d2 max	L max	Lc max	Q min	Q0	q
	mm	mm	mm	mm	mm	mm	kN/lbf	kN	kg/m
M56A2-P-125	125.0	42.0	24.0	10.00	46.0	49.5	56.0/12727	61.0	5.24
M75-P100	100.0	38.0	18.9	9.53	40.4	44.7	75.0/17045	83.0	4.85
M75-P100F1	100.0	38.0	18.9	9.53	38.4	42.7	75.0/17045	83.0	4.01
M75-P100F3	100.0	28.5	23.9	11.10	46.3	50.3	75.0/17045	83.0	4.53
M75F4-P-100	100.0	38.0	18.9	9.53	40.4	44.7	75.0/17045	83.0	4.62
M75-PF1-100	100.0	19.1	18.9	9.53	40.4	44.7	75.0/16872	75.0	3.43
M80K1F1-P-100	100.0	50.0	28.0	12.00	55.0	58.5	80.0/18000	88.0	9.10
*M80K2F1-B-100	100.0	18.0	28.0	12.00	55.0	58.5	80.0/18000	88.0	5.94
*M80F5K1-B-100	100.0	18.0	28.0	12.00	55.0	58.5	80.0/18000	88.0	5.45
M80A2F1-F-160	160.0	50.0	29.0	12.00	65.0	-	80.0/18000	88.0	7.45
M112F5K2-P-100	100.0	36.0	37.0	16.00	69.0	74.0	112.0/25200	123.2	8.28
M112A2F18.04-P-100	100.0	60.0	31.0	15.00	64.0	73.0	112.0/25200	123.2	11.80
*M112K2F2-B-100	100.0	21.0	32.0	15.00	64.5	69.0	112.0/25200	123.2	7.53
M112F16K1-P-125	125.0	60.0	32.0	15.00	68.5	73.0	112.0/25200	123.2	13.00
M112K2F1-S-125	125.0	30.0	32.0	16.00	64.5	69.0	112.0/25200	123.2	7.35
M112F9A2-F-180	180.0	50.0	32.0	15.00	64.5	69.0	160.0/35993	176.0	10.30
M112F3-F-200	200.0	60.0	37.0	16.00	69.0	74.0	112.0/25200	123.2	11.00
M160F1K2-P-100	100.0	36.0	36.0	18.00	76.0	80.0	160.0/35993	176.0	10.80
*M160F1K2.03-B-100	100.0	18.0	36.0	18.00	76.0	80.0	160.0/35993	176.0	9.73
M160F12K2-S-100	100.0	36.0	38.0	14.00	76.0	-	100.0/22496	110.0	9.33
*M160F2-B-100	100.0	25.0	37.0	18.00	73.3	83.0	222.0/49940	244.2	11.36
M160F25K2.04-B-100	100.0	25.0	37.0	18.00	73.3	79.5	160.0/36364	176.0	10.83
M160F3K1F1-P-101.6	101.6	66.7	26.0	26.90	58.0	78.5	156.0/35093	171.6	17.37
M160A2F7-F-200	200.0	70.0	37.0	18.00	85.0	-	181.8/40905	200.0	15.20
M160A2F8-F-200	200.0	85.0	37.0	18.00	85.0	-	181.8/40905	200.0	15.23
M160K2F2-S-200	200.0	36.0	36.0	18.00	76.0	80.0	160.0/36364	176.0	11.40
M160A2F8-F-200	200.0	70.0	37.0	18.00	85.0	-	181.8/40905	200.0	15.20
M224F6A2-P-160	160.0	85.0	42.0	21.00	87.5	92.5	224.0/51982	246.5	27.56
M224F29A2-F-200	200.0	85.0	43.0	21.00	85.0	91.0	224.0/50909	246.0	21.60
M224F1K2-P-200	200.0	85.0	42.0	21.00	95.0	-	224.0/50909	246.0	21.20
M315F22A2-F-400	400.0	100.0	56.0	25.00	109.8	115.3	315.0/70815	346.5	26.60

*Bush chain: d1 in the table indicates the external diameter of the bush.

Conveyor chains with attachments (M series)

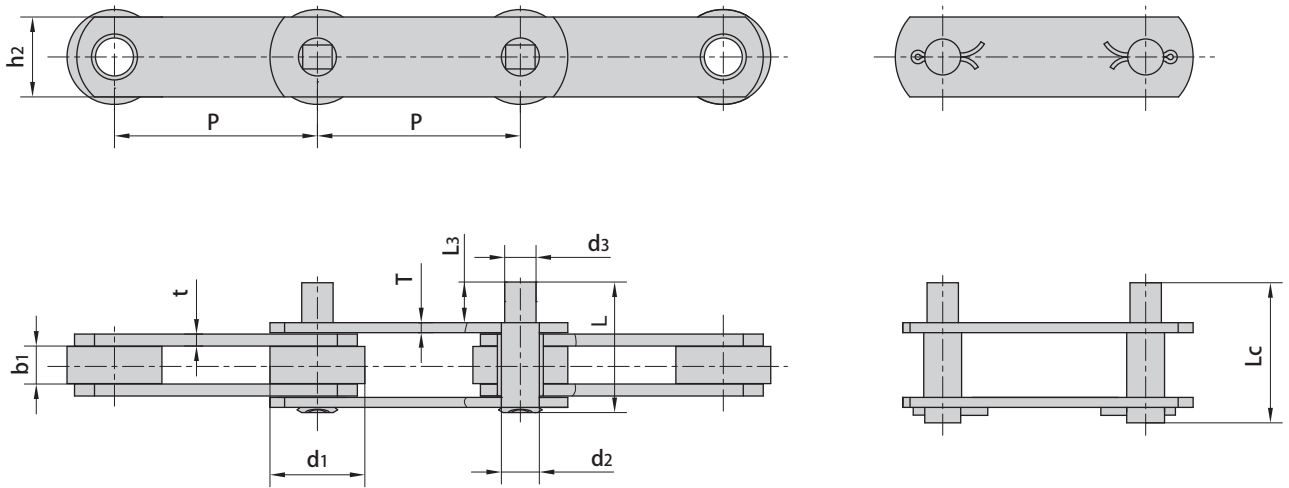


Donghua Chain No.	P	L	G	F	W	h4	h2	d4	t/T	d5
	mm	mm	mm	mm	mm	mm	mm	mm	mm	mm
M56A2-P-125	125.0	50.0	75.0	88.0	128.0	30.0	30.0	11.0	4.0	-
M75-P100	100.0	40.0	70.0	64.0	112.0	24.9	26.0	9.0	4.0	-
M75-P100F1	100.0	40.0	70.0	64.0	112.0	24.4	26.0	9.0	3.5	-
M75-P100F3	100.0	50.0	70.0	75.7	96.7	35.0	26.0	9.7	4.0	-
M75F4-P-100	100.0	40.0	70.0	90.0	112.4	24.9	26.0	8.5	4.0	-
M75-PF1-100	100.0	40.0	70.0	64.0	112.0	24.9	26.0	9.0	4.0	-
M80K1F1-P-100	100.0	△	30.0	96.0	138.0	35.0	35.0	11.0	5.0	-
*M80K2F1-B-100	100.0	70.0	100.0	96.0	130.0	35.0	35.0	11.0	5.0	-
*M80F5K1-B-100	100.0	△	60.0	100.0	156.0	23.2	35.0	13.0×17.0	5.0	-
M80A2F1-F-160	160.0	60.0	95.0	94.0	124.0	27.5	35.0	9.0	5.0	60.0
M112F5K2-P-100	100.0	35.0	65.0	98.5	140.0	40.0	40.0	14.0	6.0	-
M112A2F18.04-P-100	100.0	30.0	60.0	100.0	130.0	33.0	36.0	9.0	6.0	-
*M112K2F2-B-100	100.0	30.0	60.0	100.0	130.0	30.0	40.0	9.0	6.0	-
M112F16K1-P-125	125.0	△	72.0	120.0	184.0	39.0	40.0	13.0	7.0	-
M112K2F1-S-125	125.0	80.0	110.0	85.8	115.8	35.0	40.0	13.0	6.0	-
M112F9A2-F-180	180.0	100.0	130.0	110.0	160.0	40.0	40.0	14.0	6.0	60.0
M112F3-F-200	200.0	90.0	120.0	102.0	137.5	40.0	45.0	11.0	6.0	75.0
M160F1K2-P-100	100.0	40.0	80.0	124.0	183.0	35.0	40.0	14.0	7.0	-
*M160F1K2.03-B-100	100.0	40.0	80.0	124.0	283.0	35.0	40.0	14.0	7.0	-
M160F12K2-S-100	100.0	30.0	70.0	100.0	120.0	35.0	40.0	13.0	5.6	-
*M160F2-B-100	100.0	△	110.0	125.0	155.0	45.0	50.0	17.0	7.0	-
M160F25K2.04-B-100	100.0	40.0	80.0	124.0	180.0	45.0	50.0	14.0	7.0	-
M160F3K1F1-P-101.6	101.6	△	56.0	175.0	204.0	38.0	51.0	11.0	7.1/5.1	-
M160A2F7-F-200	200.0	85.0	115.0	124.0	170.0	45.0	51.0	14.0	7.0	85.0
M160A2F8-F-200	200.0	80.0	115.0	124.0	170.0	45.0	51.0	12.0	7.0	85.0
M160K2F2-S-200	200.0	100.0	180.0	103.0	133.0	45.0	51.0	9.0	7.0	-
M160A2F8-F-200	200.0	80.0	115.0	124.0	170.0	45.0	51.0	12.0	7.0	85.0
M224F6A2-P-160	160.0	80.0	125.0	136.0	182.0	62.0	72.0	17.0	8.0	-
M224F29A2-F-200	200.0	50.0	100.0	170.0	200.0	45.0	60.0	13.0	8.0	100.0
M224F1K2-P-200	200.0	80.0	120.0	128.0	168.0	40.0	50.0	14.0	9.0	-
M315F22A2-F-400	400.0	200.0	250.0	160.0	207.6	70.0	70.0	18.0	10.0	120.0

△ Attachments with 1 hole

*Bush chain: d1 in the table indicates the external diameter of the bush.

Conveyor chains with extended pins (M series)



Donghua Chain No.	Pitch	Roller diameter	Width between inner plates	Pin diameter	Extended pin dimension		Pin length		Inner plate depth	Plate thickness
	P	d1 max	b1 min	d2 max	d3 max	L3	L max	Lc max	h2 max	T max
	mm	mm	mm	mm	mm	mm	mm	mm	mm	mm
M18F7-D3-P-75	75.00	25.00	11.50	5.72	12.00	30.0	56.6	58.9	20.0	3.0
M20D1F1.02-P-80	80.00	25.00	16.00	6.00	6.00	25.5	54.7	57.2	18.0	2.5
M75-D3-P-100	100.00	38.00	18.95	9.53	11.00	38.0	76.2	80.5	26.0	4.0
M100F11-P-101.6-D3	101.60	47.50	19.00	19.00	15.70	20.0	66.3	71.5	40.0	6.0/5.0
M100-P-152.4-D3	152.40	47.50	19.00	19.00	18.25	84.8	127.5	132.7	40.0	5.0/4.0
M100-P-203.2-D3	203.20	47.50	19.00	19.00	18.25	84.8	127.5	132.7	40.0	5.0/4.0

Donghua Chain No.	Ultimate tensile strength	Average tensile strength	Weight per meter
	Q _{min}	Q _{0 min}	q
	kN/lbf	kN	kg/m
M18F7-D3-P-75	18.0/4050	20.00	2.14
M20D1F1.02-P-80	20.0/4545	25.00	1.65
M75-D3-P-100	75.0/16870	82.50	3.61
M100F11-P-101.6-D3	150.0/33722	165.00	7.60
M100-P-152.4-D3	100.0/22496	110.00	6.36
M100-P-203.2-D3	100.0/22496	110.00	5.49